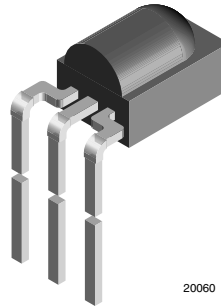


IR Receiver Modules for Remote Control Systems



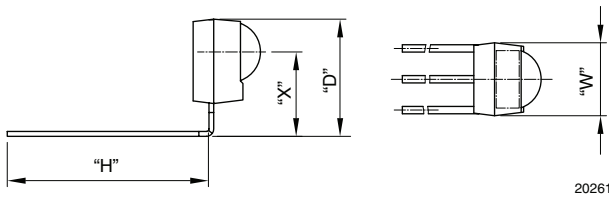
20060

FEATURES

- Compliant to RoHS directive 2002/95/EC and in accordance to WEEE 2002/96/EC

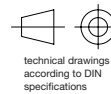
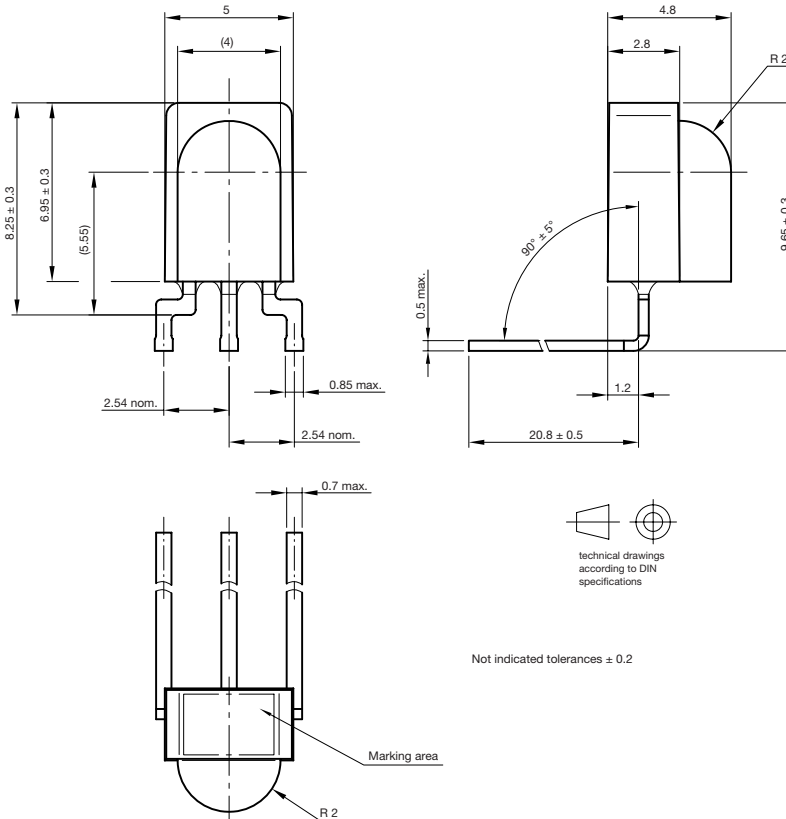

AVAILABLE FOR:

- TSOP58...
- TSOP59...
- TSOP38...
- TSOP39...
- TSOP98...


RoHS
COMPLIANT


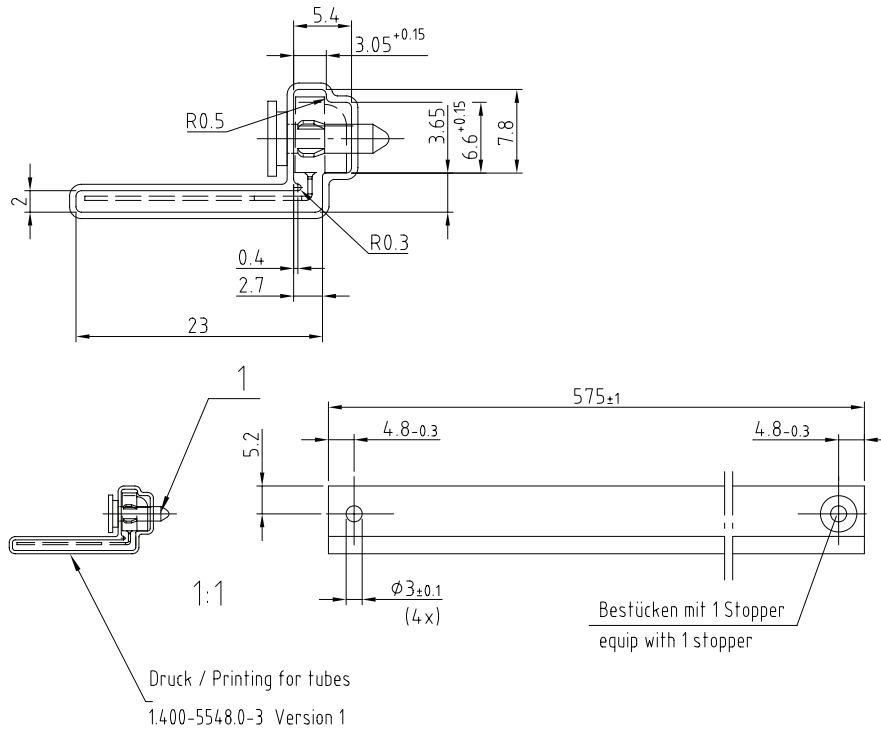
20261

NAME	LENS AXIS (X)	VIEW	TYPE	HEIGHT (H)	WIDTH (W)	DEPTH (D)
SB1	6.95		Bend	20.8	5	9.65

MECHANICAL DIMENSIONS in millimeters

 technical drawings
according to DIN
specifications

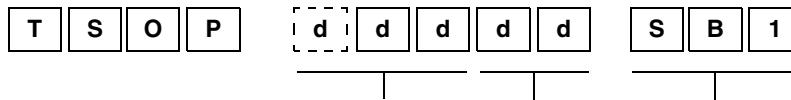
Not indicated tolerances ± 0.2

PACKAGING DIMENSIONS in millimeters



Drawing-No.: 9.700-5309.0-4
 Rev. 2; Date: 26.10.07
 20440

ORDERING INFORMATION



2 or 3 digit product series 2 digit frequency Holder type

Note

d = "digit", please consult the list of available series on the previous page to create a valid part number.

Example: TSOP39238SB1

PACKING QUANTITY

- 105 pieces per tube
- 30 tubes per carton